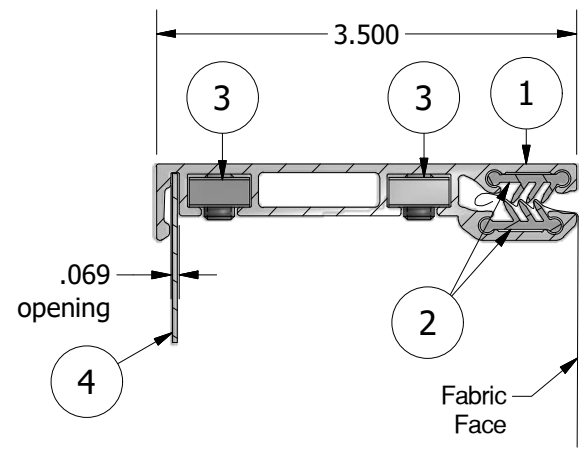
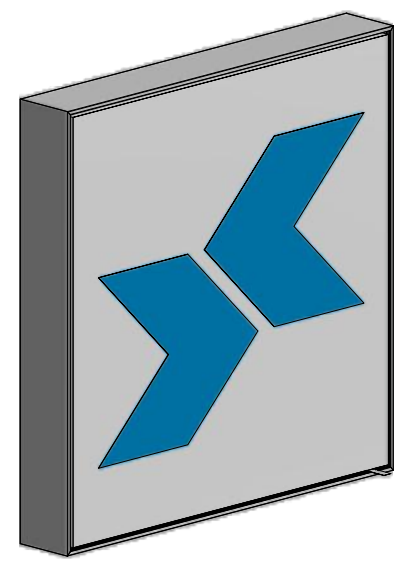
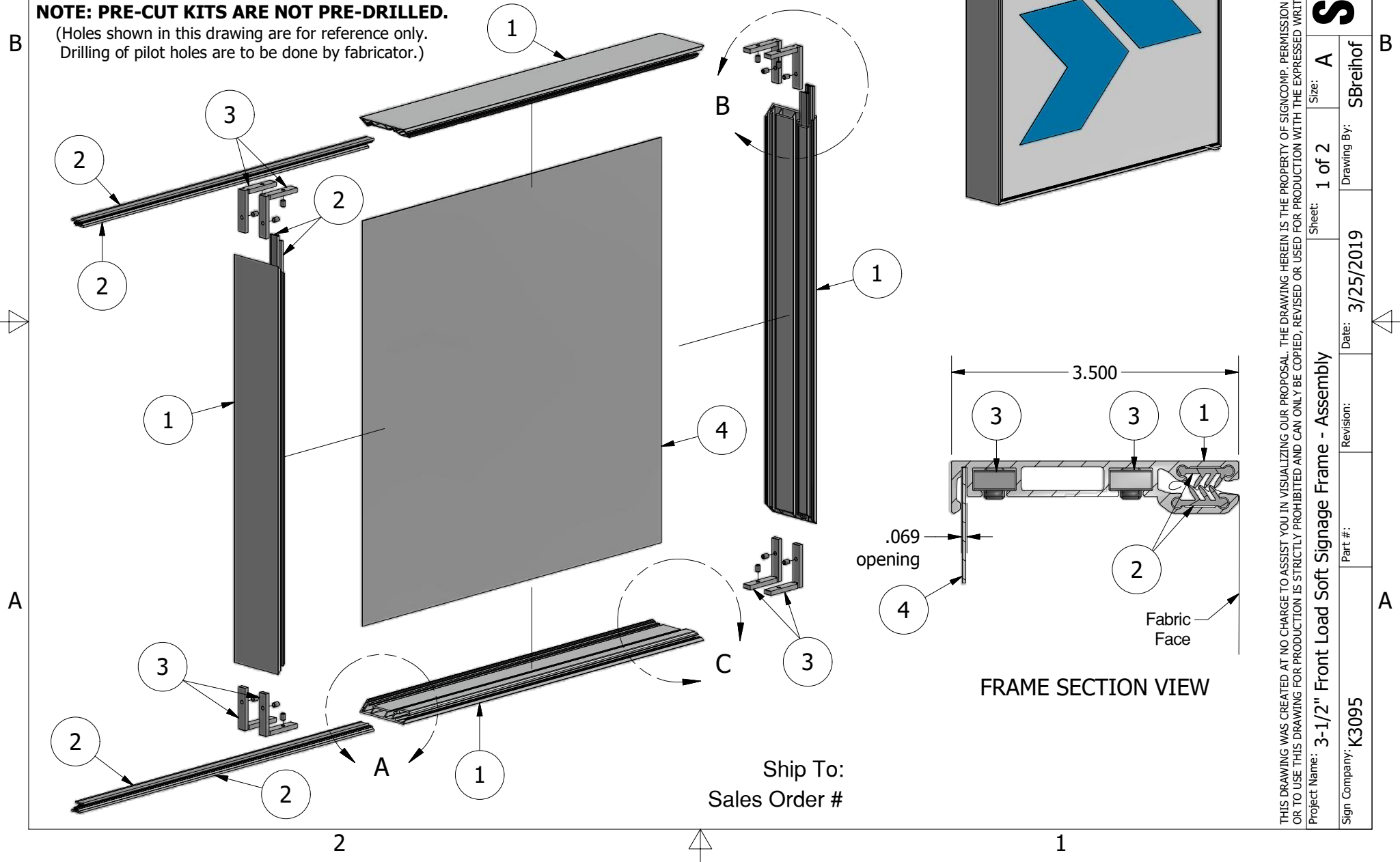


PARTS LIST

ITEM	PART #	DESCRIPTION	NOTES
1	3095	3-1/2" Front Load Soft Signage Frame	All Sides
2	3098	Front Load Grip Strip	Two (2) per side
3	5895	Angle Assembly	Two (2) per frame corner
4		Optional Back	By Other
5	5897	Front Load Soft Signage Pull Tab Assembly	

NOTE: PRE-CUT KITS ARE NOT PRE-DRILLED.

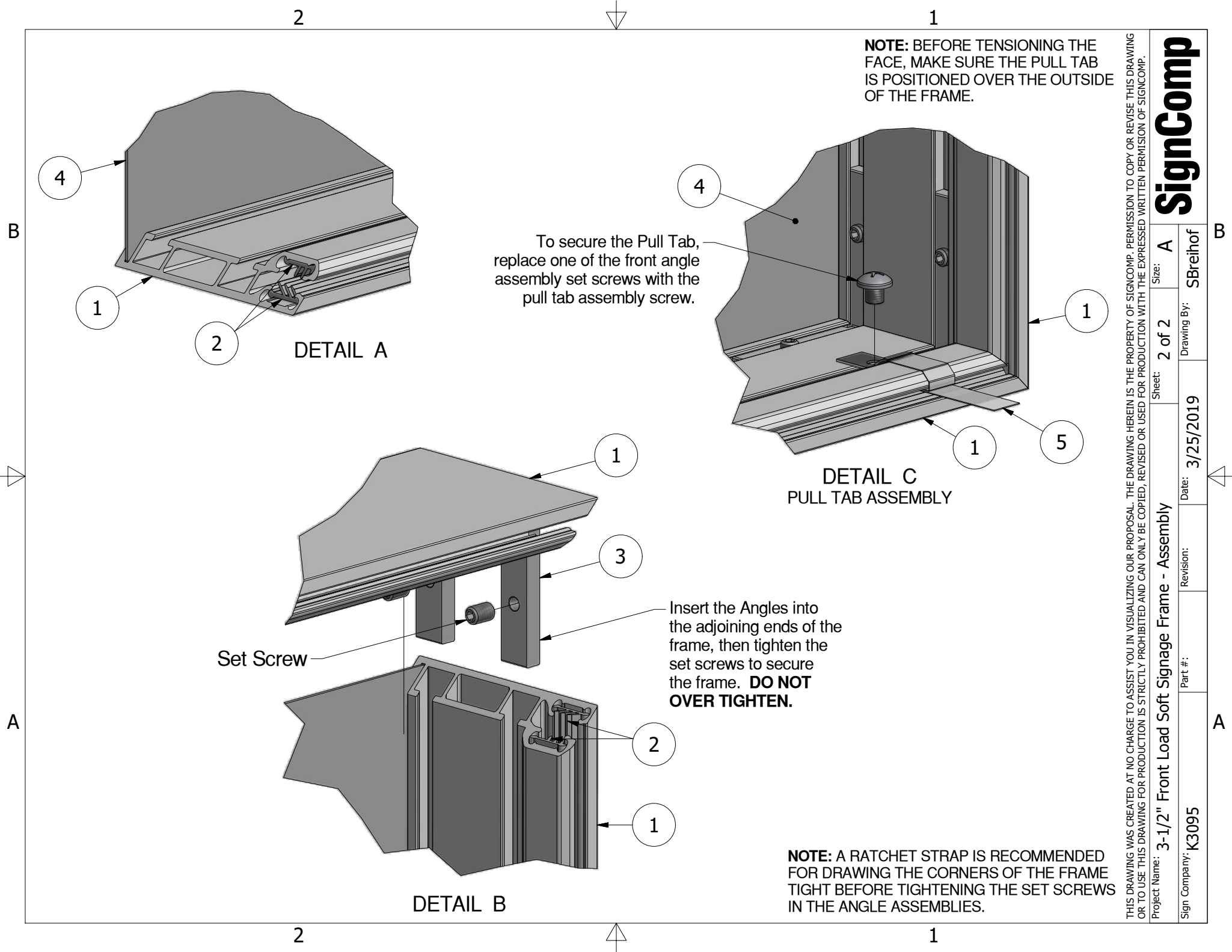
(Holes shown in this drawing are for reference only. Drilling of pilot holes are to be done by fabricator.)



THIS DRAWING WAS CREATED AT NO CHARGE TO ASSIST YOU IN VISUALIZING OUR PROPOSAL. THE DRAWING HEREIN IS THE PROPERTY OF SIGNCOMP. PERMISSION TO COPY OR REVISE THIS DRAWING OR TO USE THIS DRAWING FOR PRODUCTION IS STRICTLY PROHIBITED AND CAN ONLY BE COPIED, REVISED OR USED FOR PRODUCTION WITH THE EXPRESSED WRITTEN PERMISSION OF SIGNCOMP.

Project Name: 3-1/2" Front Load Soft Signage Frame - Assembly	Sheet: 1 of 2	Size: A
Sign Company: K3095	Date: 3/25/2019	Drawing By: SBreihof





NOTE: BEFORE TENSIONING THE FACE, MAKE SURE THE PULL TAB IS POSITIONED OVER THE OUTSIDE OF THE FRAME.

DETAIL A

DETAIL C
PULL TAB ASSEMBLY

DETAIL B

To secure the Pull Tab, replace one of the front angle assembly set screws with the pull tab assembly screw.

Insert the Angles into the adjoining ends of the frame, then tighten the set screws to secure the frame. **DO NOT OVER TIGHTEN.**

NOTE: A RATCHET STRAP IS RECOMMENDED FOR DRAWING THE CORNERS OF THE FRAME TIGHT BEFORE TIGHTENING THE SET SCREWS IN THE ANGLE ASSEMBLIES.

THIS DRAWING WAS CREATED AT NO CHARGE TO ASSIST YOU IN VISUALIZING OUR PROPOSAL. THE DRAWING HEREIN IS THE PROPERTY OF SIGNCOMP. PERMISSION TO COPY OR REVISE THIS DRAWING OR TO USE THIS DRAWING FOR PRODUCTION IS STRICTLY PROHIBITED AND CAN ONLY BE COPIED, REVISED OR USED FOR PRODUCTION WITH THE EXPRESSED WRITTEN PERMISSION OF SIGNCOMP.

Project Name: 3-1/2" Front Load Soft Signage Frame - Assembly	Sheet: 2 of 2	Size: A
Sign Company: K3095	Date: 3/25/2019	Drawing By: SBreihof
Part #:	Revision:	

SignComp

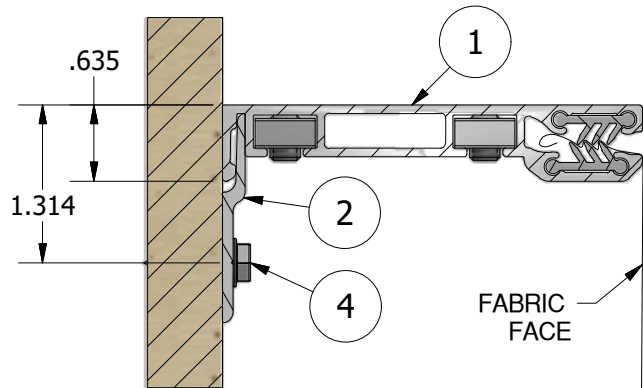
2



1

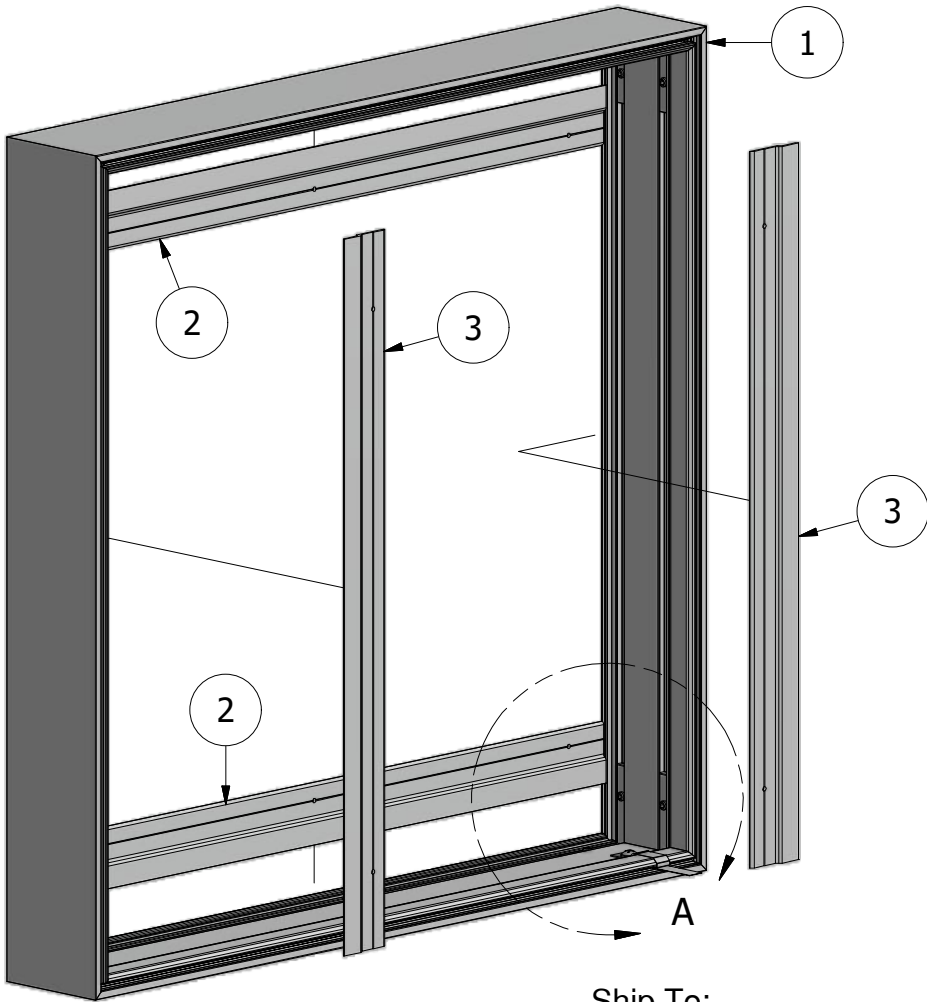
PARTS LIST

ITEM	QTY	PART #	DESCRIPTION	NOTES
1	7	K3095	3-1/2" Front Load Soft Signage Frame Assembly	
2	2	3099	Z-Clip	Horizontal - cut full length of opening
3	2	3099	Z-Clip	Vertical - cut to fit between horizontals
4	TBD		Attachment Fastener	By Other



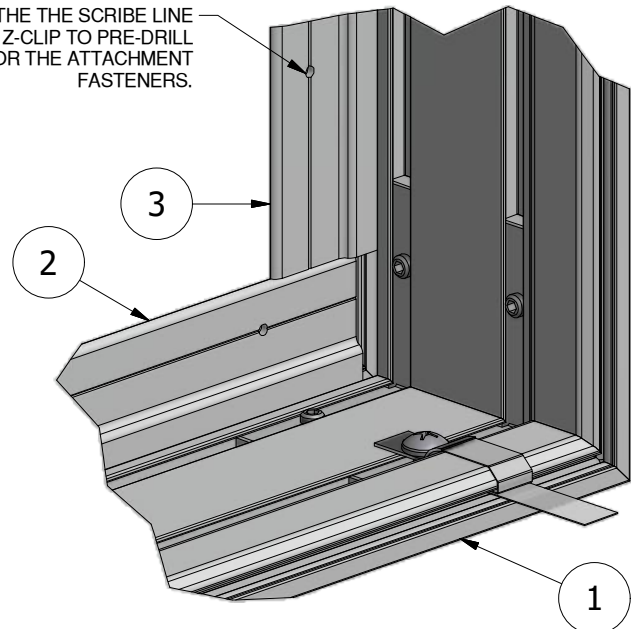
FRAME AND Z-CLIP SECTION VIEW

NOTE: PRE-CUT KITS ARE NOT PRE-DRILLED.
 (Holes shown in this drawing are for reference only. Drilling of pilot holes are to be done by fabricator.)



NOTE: MOUNTING THE FRAME WITH Z-CLIPS IS AN OPTION, IF A BACK IS NOT BEING USED. PLACING THEM AROUND THE ENTIRE PERIMETER WILL PREVENT LIGHT LEAKS.

USE THE THE SCRIBE LINE ON THE Z-CLIP TO PRE-DRILL HOLES FOR THE ATTACHMENT FASTENERS.



DETAIL A CUT TO SIZE Z-CLIP ASSEMBLED

Ship To:
Sales Order #

2



1

THIS DRAWING WAS CREATED AT NO CHARGE TO ASSIST YOU IN VISUALIZING OUR PROPOSAL. THE DRAWING HEREIN IS THE PROPERTY OF SIGNCOMP. PERMISSION TO COPY OR REVISE THIS DRAWING OR TO USE THIS DRAWING FOR PRODUCTION IS STRICTLY PROHIBITED AND CAN ONLY BE COPIED, REVISED OR USED FOR PRODUCTION WITH THE EXPRESSED WRITTEN PERMISSION OF SIGNCOMP.

Project Name: 3-1/2" Front Load Soft Signage w/ Z-Clip Mounting

Sign Company: K3095-3099

Part #:

Revision:

Date: 3/21/2019

Drawing By: SBreihof

Sheet: 1 of 1

Size: A

SignComp

B

B

A

A